

NEW

Data sheet

Marley SolarTile®



Marley SolarTile® 410Wp photovoltaic panels offer the cost-saving benefits of using renewable energy to help power our homes, along with sleek aesthetics and long-lasting, low-maintenance performance.

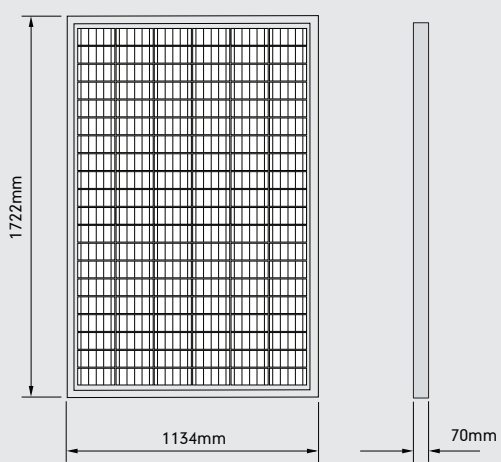


- ▲ Integrated with full Marley roof system and all tile types
- ▲ Renewable energy to reduce household bills
- ▲ Very low profile and unobtrusive
- ▲ Large panel size means rapid installation
- ▲ Certified fire and flame performance
- ▲ Exceptional wind resistance performance
- ▲ 15 year guarantee as part of a Marley full roof system

15 YEAR
MARLEY ROOF SYSTEM WARRANTY

25 YEAR
80% EFFICIENCY GUARANTEE

60 YEAR
EXPECTED PANEL LIFESPAN



PITCHED ROOF INTEGRATION

Sleek, low-profile integrated solar that replaces the roof covering for an improved aesthetic and simple roof maintenance.

WIND RESISTANCE

The certified wind resistance for Marley SolarTile® makes it a suitable solution for even the most exposed locations.

FIRE

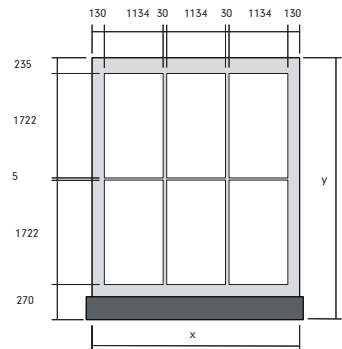
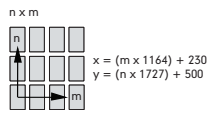
Marley SolarTile® is a roof-integrated solar system accredited with high resistance to spread of flame and fire penetration in all European fire safety tests, achieving B_{ROOF} T1, T2, T3 and T4.

TECHNICAL DATA

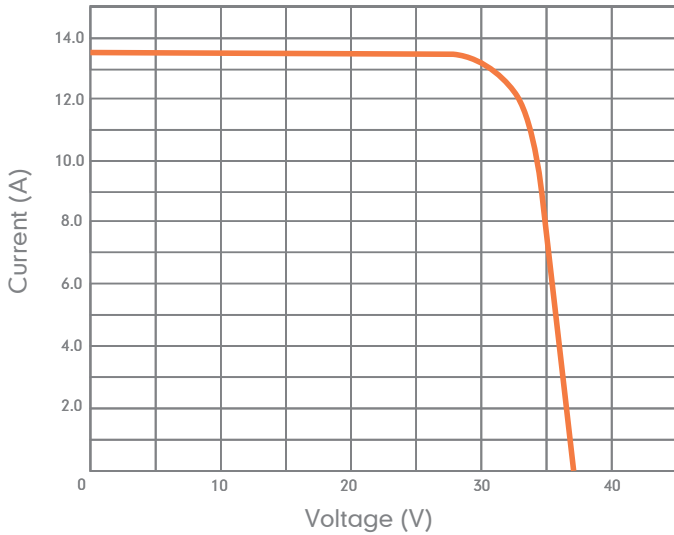
Size of 410Wp panel	1134mm wide x 1722mm high
Aperture area	1.885m ²
Minimum pitch	20°
Maximum pitch	60°
Body thickness (nominal)	70mm
Weight	25.0kg
Static roof loading	12.8kg/m ² (distributed)
Characteristic wind resistance	4.24kPa
Ultimate design load**	4.24kPa
Positive design load (IEC 61215)	5.4kPa
Fire rating EN 13501-5	B _{ROOF} (T1, T2, T3, T4)
Authority*	IEC 61215, 61730, TUV, MCS05, MCS12
Compatible roof coverings	All Marley concrete and clay plain, and interlocking tiles. Also compatible with tiles and slates of other manufacturers

** Design resistance to ultimate loads includes a partial material safety factor of 1.0

TYPICAL CONFIGURATION



IV CURVE



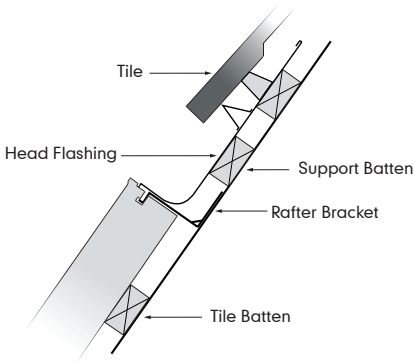
410 PANEL - ELECTRICAL DATA

Model	MAPV410-M10
Peak power	410Wp
Efficiency*	21.5%
No. of cells	54x2
Max. power voltage (V_{mpp})	31.02V
Max. power current (I_{mpp})	13.06A
Open circuit voltage (V_{oc})	37.23V
Short circuit current (I_{sc})	13.72A
NOCT**	45°C
Cell type	Monocrystalline Silicon
Power temperature co-efficient	-0.35%/°C
Current temperature co-efficient	0.05%/°C
Voltage temperature co-efficient	-0.28%/°C
Max. system voltage	1000 V_{DC}
Max. fuse rating (A)	25
Safety classification	Class II
Electrical connectors	Genuine Stäubli MC4 PV-KST4, PV-KBT4

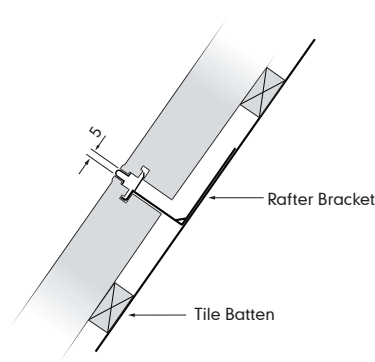
* Based on aperture area

** Nominal Operating Cell Temperature Electrical specification measured under standard test conditions: Irradiation 1 kW/m² with light spectrum AM 1.5 and a cell temperature of 25°C.

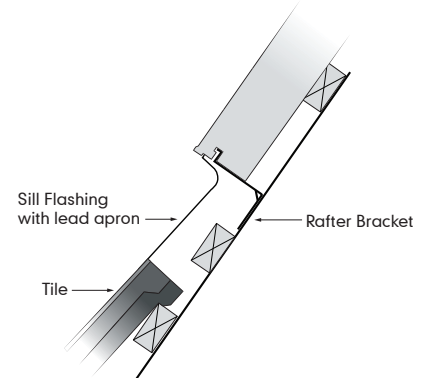
HEAD DETAIL



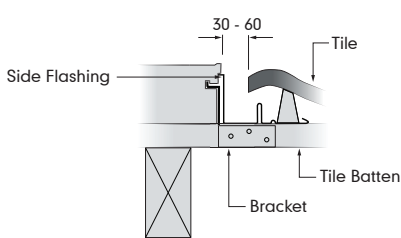
JOIN DETAIL



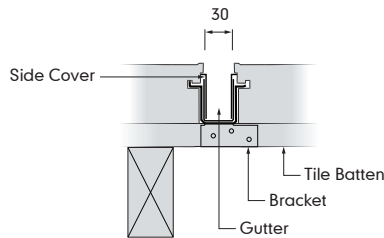
SILL DETAIL



SIDE DETAIL



GUTTER DETAIL



Specification toolkit

Marley provides a comprehensive technical service and a range of online tools to ensure design performance and compliance to the latest Building Regulations and NHBC Technical Standards.

- ▲ Fixing specifications
- ▲ NBS clause
- ▲ CAD details

Visit [marley.co.uk/specifying](https://www.marley.co.uk/specifying)

Tell me more

Call 01283 722588

Email info@marley.co.uk

Or visit [marley.co.uk/solar](https://www.marley.co.uk/solar)

Marley, Lichfield Road, Branston, Burton upon Trent, DE14 3HD

V1.0 - 2024.05.30