

# Here to help

## ASHMORE DRY VERGE SYSTEM

The Marley Ashmore Dry Verge system has been designed to make verge detailing secure, BS 5534-compliant and elegantly simple.

The Ashmore dry verge system is compatible with all UK manufactured concrete interlocking plain tiles. Also compatible with Redland Duo Plain and Forticrete Gemini.

Note: Ashmore dry verge acts as a single mechanical fixing in accordance with BS 5534: 2014. Also meets requirements of BS 8612.

## Tell me more

Call 08705 626400  
Email [info@marley.co.uk](mailto:info@marley.co.uk)  
Or visit [marley.co.uk](http://marley.co.uk)

Marley, Lichfield Road, Branston,  
Burton upon Trent, DE14 3HD

January 2019

### Using bedded ridges and RidgeFast dry ridge

10 Screw ridge end cap through top course verge unit, to end of top course tiling batten. Locate 30mm stainless steel screw (provided) through lower fixing holes (Fig. 11).

11 If required, trim flange of ridge end cap to fit between top course verge units. (Figs. 11 and 12, 13). Top course verge unit is secured to end of top course tiling batten in normal manner.

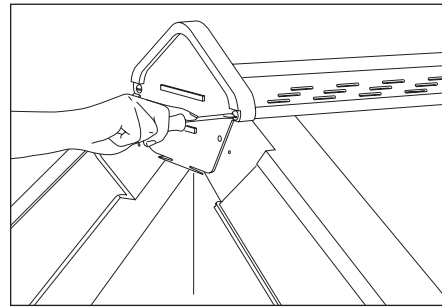


Fig. 10 – Screw fix ridge end cap

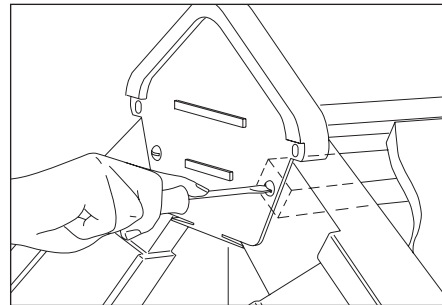
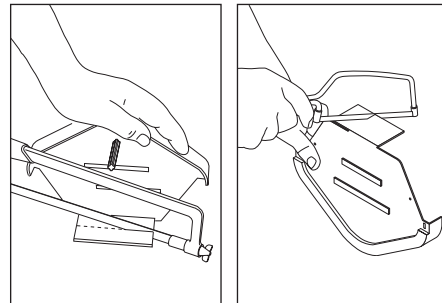
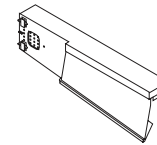


Fig. 11 – Screw ridge end cap

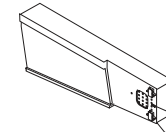


Figs. 12 and 13 – Cutting end cap flange

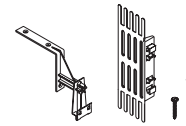
### Components



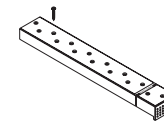
Ashmore dry verge unit (LH code 3961)



Ashmore dry verge unit (RH code 3971)



Ashmore dry verge starter unit (code MA39901)\*



Dry verge refurbishment fixing kit (code 53580)



Segmental ridge end cap (code 3980)

\* Sold separately. Kits contain: 2 No. Bracket assemblies, 2 No. Plastic filler units. 6 No. 30mm stainless steel screws. 4 No. 50mm stainless steel screws

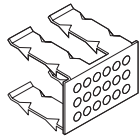
## FIXING INSTRUCTIONS

# Ashmore Dry Verge System



## Batten end clips

Offers quick, easy secure fixing of all dry verge units to the batten end.



## Installation

- 1 Set out eaves course of roof tiles in normal manner, ensuring that, wherever possible, full tiles complete verge-overhang or that highest section of tile profile is cut to finish at edge.
- 2 Saw tiling battens off square to overhang bargeboard or brickwork by 45mm and nail (Fig. 1).
- 3 Position top course tiling battens to suit roof pitch.
- 4 Securing the starter bracket assembly:
  - (a) Directly to fascia board where there is no requirement for an eaves ventilator strip:  
Secure the starter bracket assembly directly onto the corner of the fascia using three of the 30mm screws provided (Fig. 2).
  - (b) Directly into fascia strip ventilator:  
Using two of the 50mm screws provided, secure the starter bracket assembly through the top edge of the fascia ventilator strip and into the fascia board underneath. Be careful not to overtighten. Using one of the 30mm screws provided, secure the starter bracket through the side fixing hole (Fig. 3).
  - (c) Directly into brickwork:  
Using a pair of snips, or similar cutting device, remove the top of the starter bracket assembly at 90° corner, leaving side fixing and the metal spring fixing clip. Drill, plug and secure side assembly into brickwork using one of the 30mm screws provided (Fig. 4).
- 5 The filler piece prevents the ingress of birds and insects. Insert the plastic filler piece into the locating upstands on the rear of the dry verge as illustrated in Fig. 5.

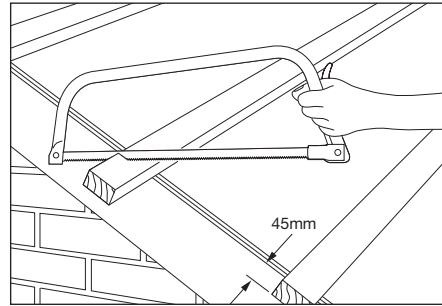


Fig. 1 – Position top course tiling battens

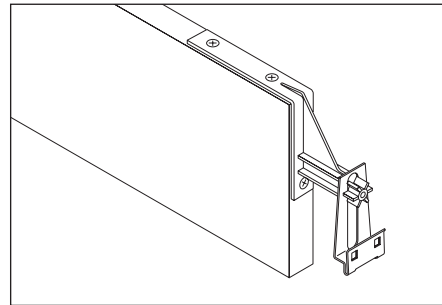


Fig. 2 – Securing starter bracket onto corner of fascia

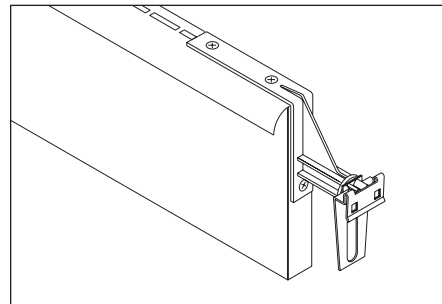


Fig. 3 – Securing starter bracket into fascia strip ventilator

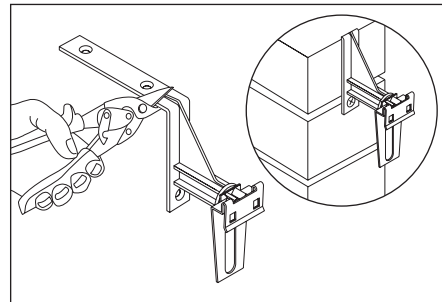


Fig. 4 – Securing the starter bracket directly into brickwork

Angle the filler piece at 45 degrees and firmly push into the central upstand. Rotate to the vertical position to locate/click into the outer upstands as illustrated in Fig. 6.

- 6 Push the verge unit up so the front flange meets flush with the leading edge of the tile (Fig. 7). Nail the verge unit to the tiling with a 40 x 3.35mm annular ring shank nail. Using the Marley batten end clip select the appropriate hole (nearest to the centre of the tiling batten).
- 7 Once the first unit is mechanically fixed into the batten-end, secure the front edge of the dry verge with the metal spring-clip by pushing it on until it cannot go any further.
- 8 A gentle hammer tap may be required to assist with this. The spring clip achieves a secure fix at one end by clamping (when engaged fully) to the front of the dry verge (Fig. 8).
- 9 Successive dry verge units are interlocked together by sliding upwards against unit below, ensuring that the lug on outside of verge unit fits into internal locating slot (Fig. 9).

**IMPORTANT:** Verge units can be slid together at different height positions dependent on the roof tile profile and thickness of the leading edge.

All verge tiles should be mechanically fixed in accordance with BS 5534 in addition to the use of the Universal dry verge units, i.e. by nailing, clipping or screwing as appropriate.

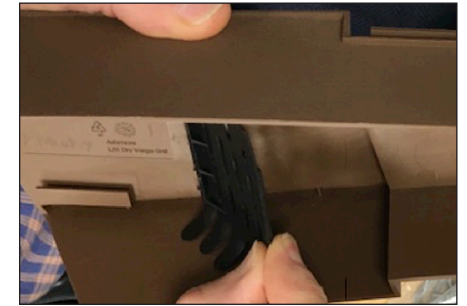


Fig. 6 – Push and secure into an upright position

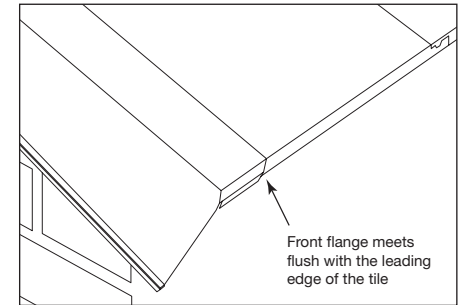


Fig. 7 – Push first verge unit up so it sits flush with leading edge of tile

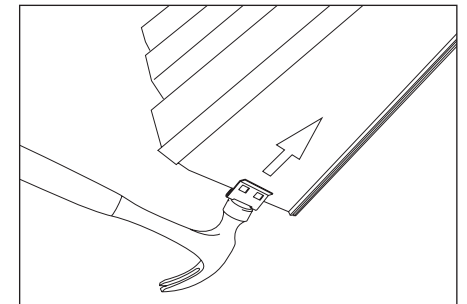


Fig. 8 – Securing the first verge with mechanical fixing



Fig. 5 – Position plastic filler piece at 45°

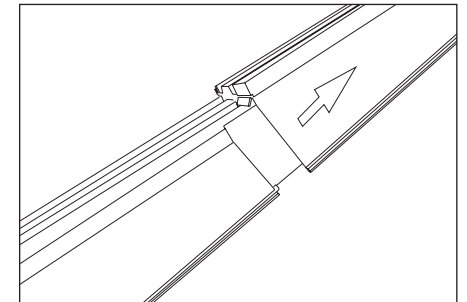


Fig. 9 – Slide verge units upwards